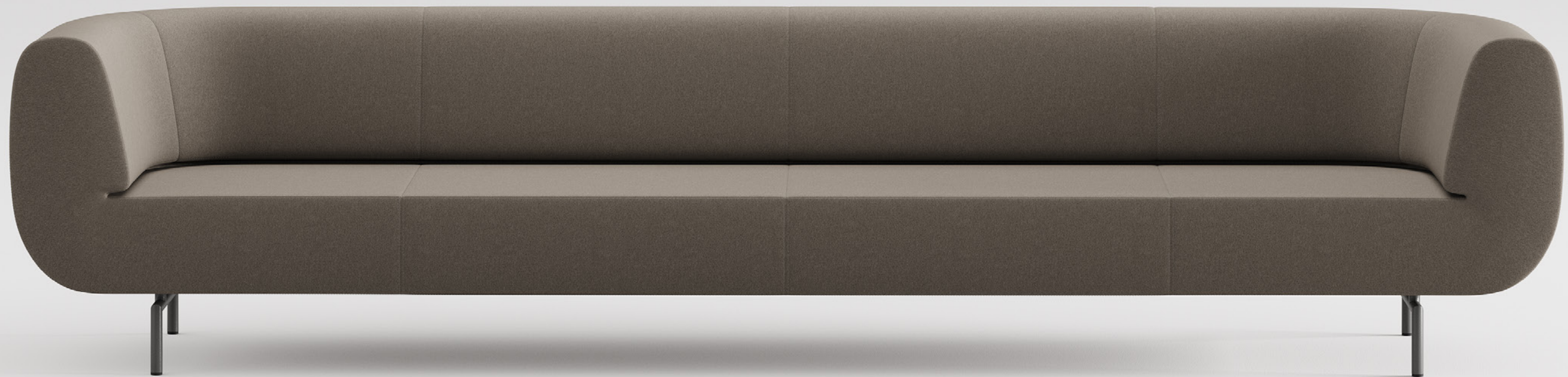


Durgu

B&T



Durgu

Sofa

Indoor



Durgu

Sofa

Indoor



Durgu

Sofa

Indoor

Durgu

Great selection for who need wide and modern seating.

Durgu

Sofa

Indoor





Thanks to its many different module dimensions you may create many different width options. You may go as wide as you like. With its dignified look and strength, it reflects sense of confidence. Suitable for use in break rooms, waiting rooms in hospitals, educational institutions in living areas, exhibition center common usage open areas, business centers, and lobbies.

Linear detail by in the bottom part of the seatback is very for sure very distinctive design detail. Made out of metal structure and contract grade injection molded polyurethane foam. Besides double, triple, quadruple models, modular units help you to create almost any size you need. Any fabric from graded in B&T Design fabric collection is approved for Durgu. The base can be chrome or static paint. The seating surface, the stitching accuracy between the armrest and the back reveals the brand's tailoring expertise in the seat and sofa.



Designer

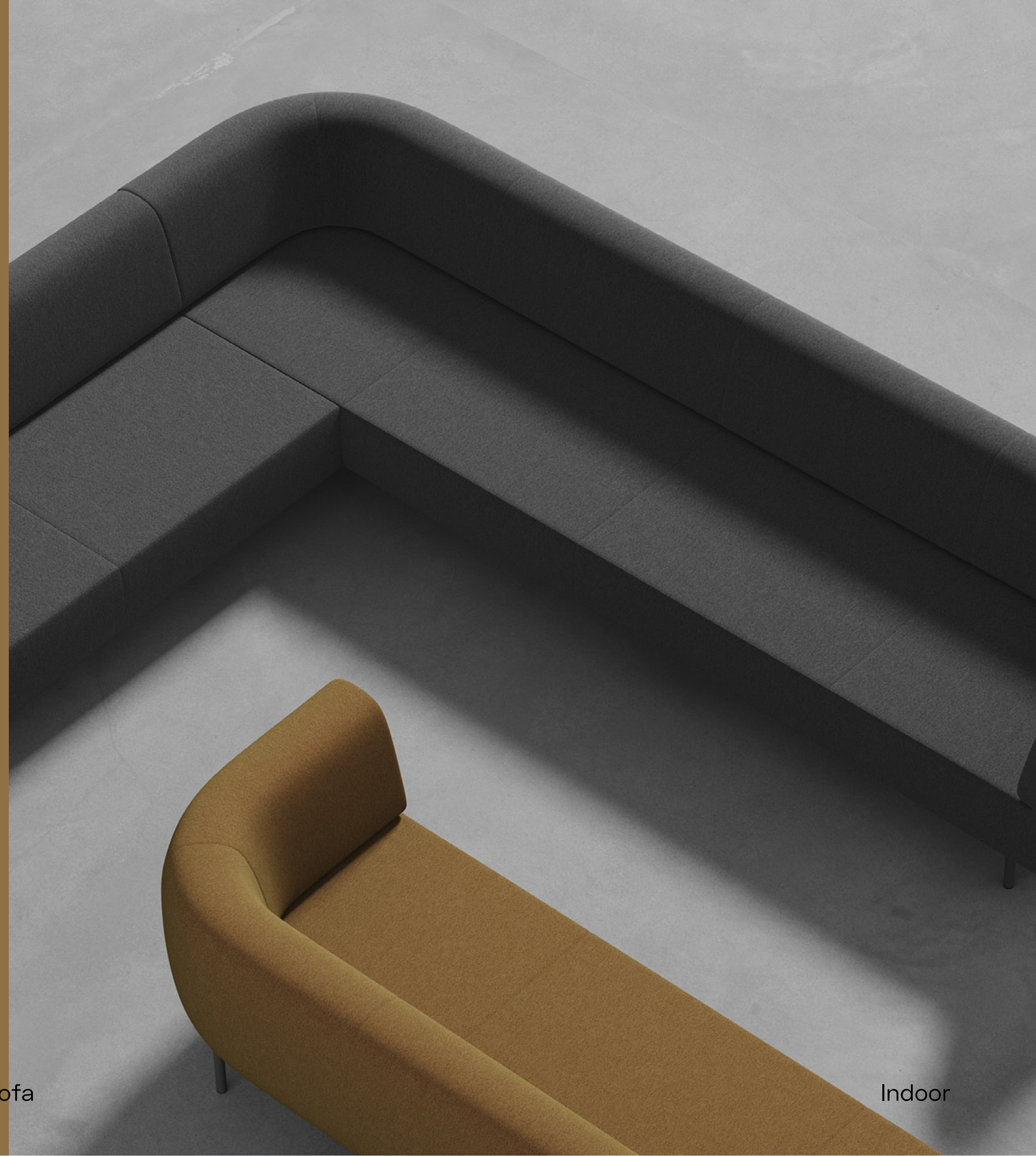


Tanju Özelgin

Durgu

Sofa

Indoor





Durgu

Sofa

Indoor

Finish Options

A rich range of material choices is provided for Durgu series to create the best match within interior style. All colours in B&T Design's metal coating catalogues are available for metal surfaces of the series.

Metal Finishes

Electrostatic Powder Coating + Chrome



White
RAL 9016

Silk Grey
RAL 7044

Precious Sand

Taupe
G 876

Nordic Lichen



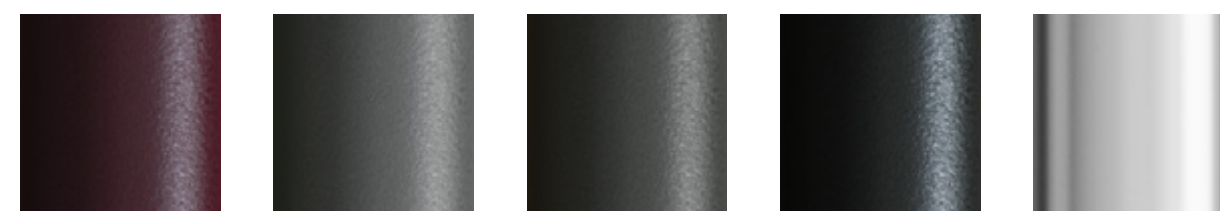
Green Grey
RAL 7009

Cement Grey
RAL 7033

Beige Red
RAL 3012

Terracotta
RAL 8004

Pale Brown
RAL 8025



Black Red
RAL 3007

Grey
G 458

Anthracite
RAL 7016

Black
RAL 9005

Chrome

Upholstery

Fabric, Leather, Artical Leather. COM and COL options are also available.

| | | |
|---|----------|------|
| textile fabric yardage (mt) | Daybed | 5,5 |
| | Middle | 3,5 |
| | Double | 5,85 |
| | Triple | 7,45 |
| | 4 Seater | 9,25 |
| real leather square meter (m ²) | Daybed | 10 |
| | Middle | 5 |
| | Double | 12 |
| | Triple | 14 |
| | 4 Seater | 18 |

More options are downloadable in the catalogues

MATERIAL CATALOGUE 

FABRIC & LEATHER CATALOGUE 



Durgu



Sofa

Indoor

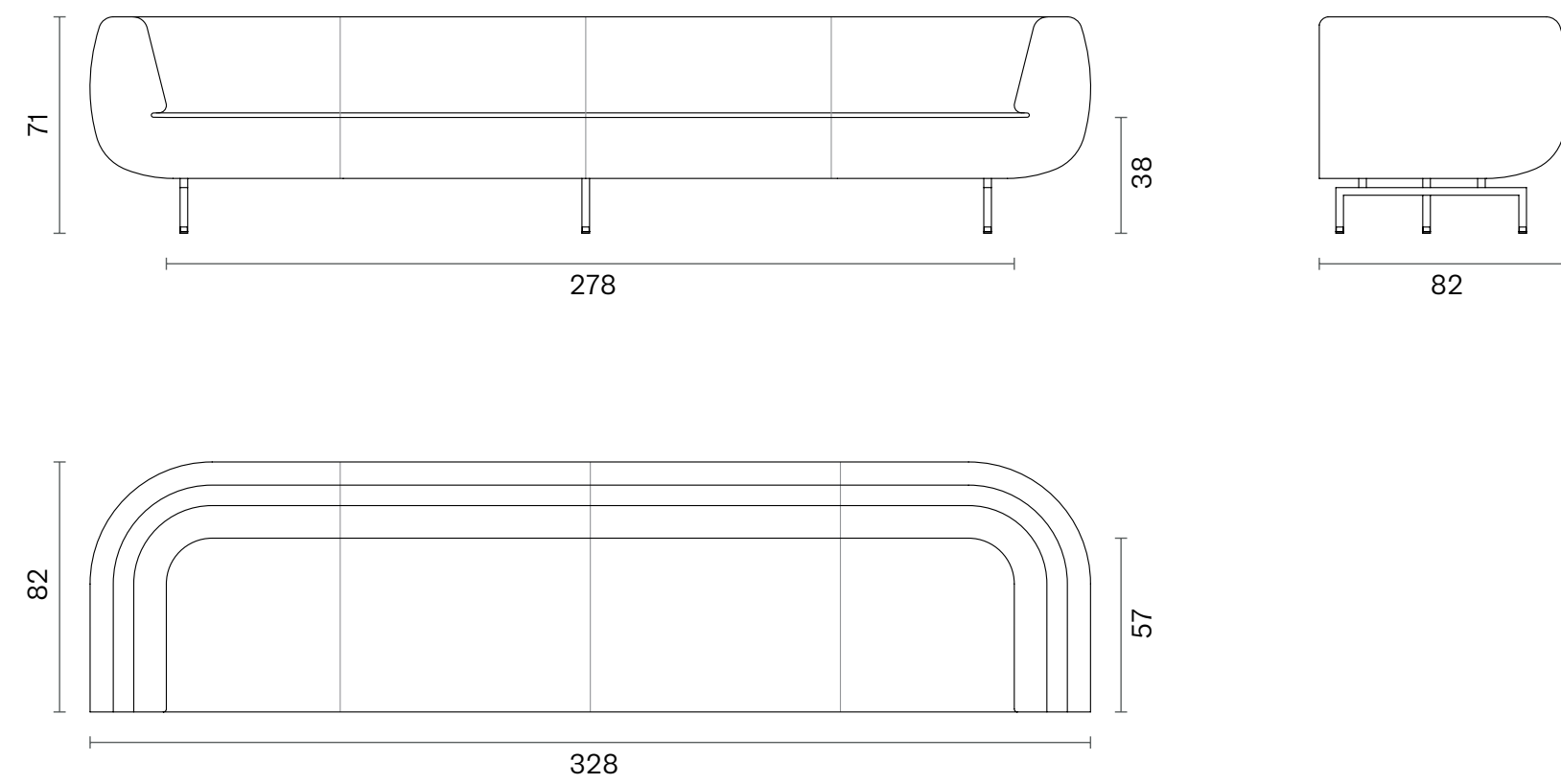


Durgu

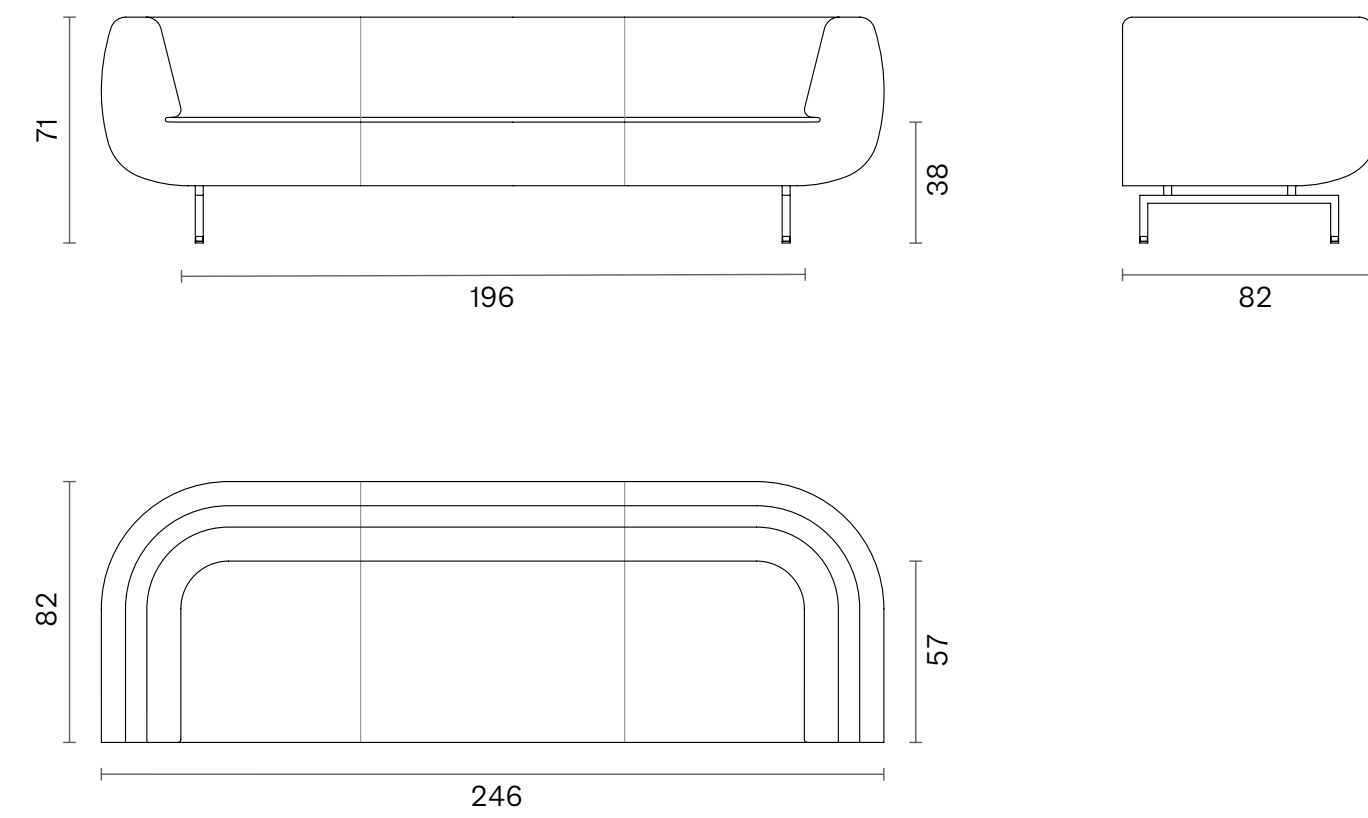
Sofa

Indoor

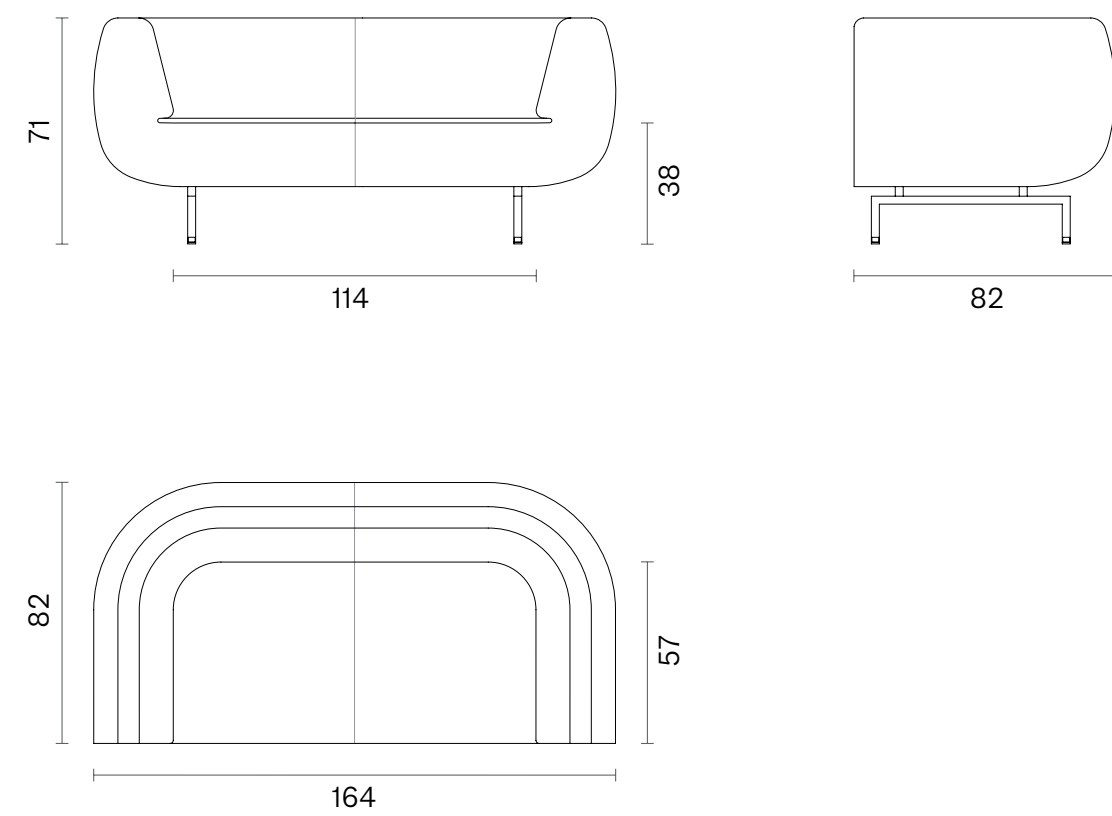
FOUR SEATER



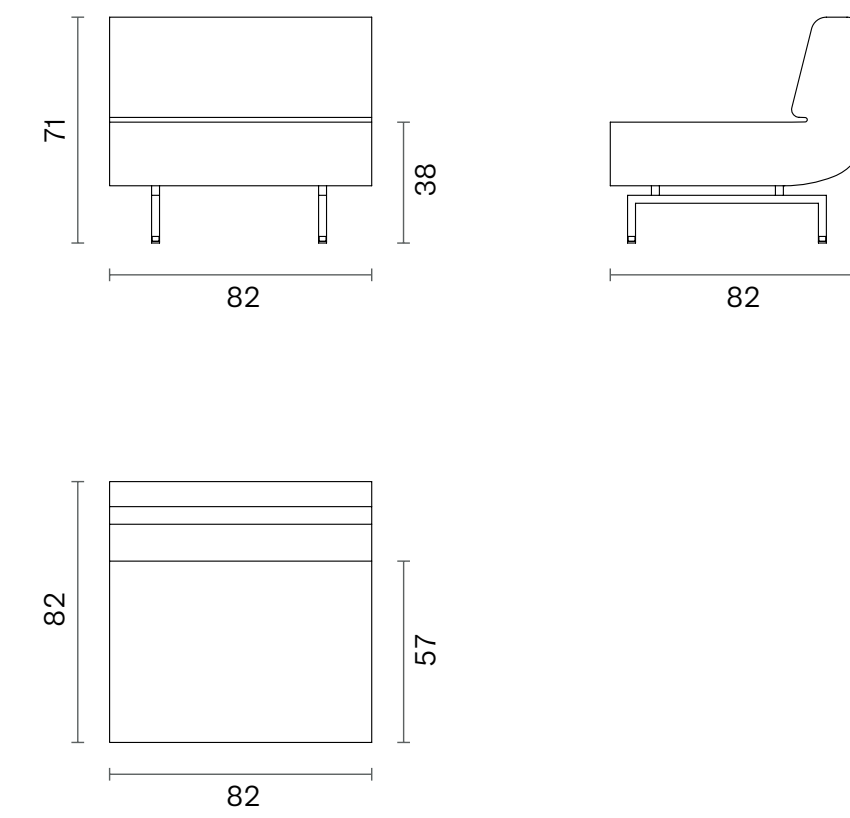
TRIPLE



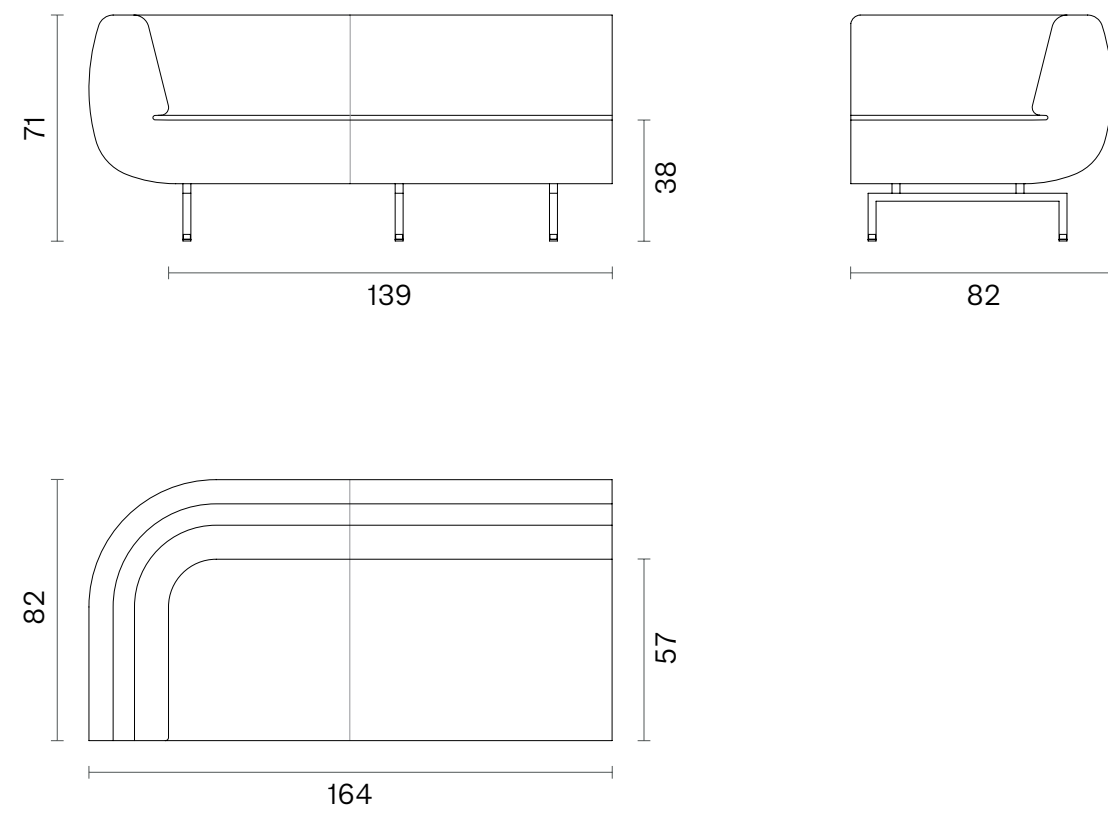
DOUBLE



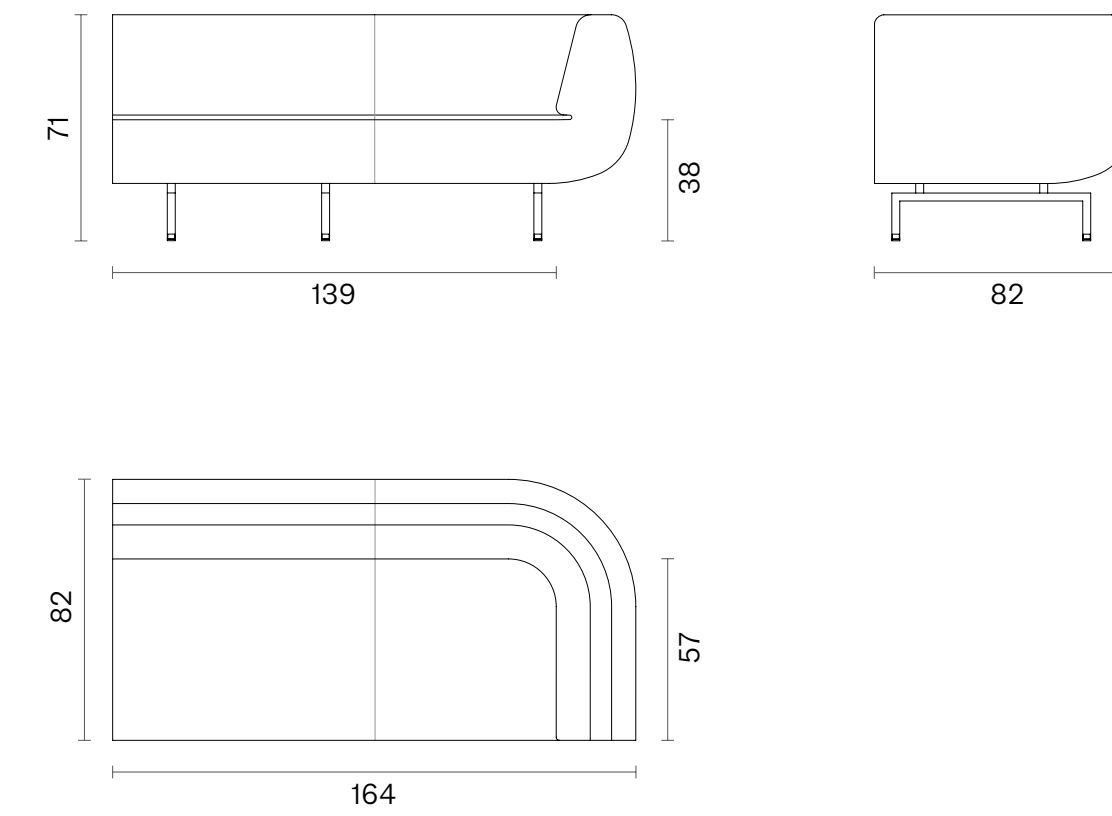
MIDDLE



DAYBED RIGHT ARM



DAYBED LEFT ARM



Downloads

2D dwg, 3ds, 3dsMax, FBX, Rhino, Sketchup files **click and download**

CAD FILES & PHOTOS



You can run this product with following systems:



Durgu

Sofa

Indoor

Technical Specifications

| | | |
|--------------------|---|--|
| Package Dimensions | Double Triple 4 Seater | 210x95x75 cm 260x95x75 cm 340x97x80 cm |
| Quantity in box:1 | | |
| Volume | Daybed Middle Double Triple 4 Seater | 1,05 m ³ 0,57 m ³ 1,5 m ³ 1,85 m ³ 2,64 m ³ |
| Weight | Daybed Middle Double Triple 4 Seater | 30 kg 25 kg 40 kg 50 kg 60 kg |
| Structure | Metal Structure + Polyurethane | |
| Base | Ø25mm Metal Tube + Electrostatic Powder Coated | |
| Upholstery | Fabric + Leather Fixed Cover | |
| Warranty | 2 years | |

CARE AND MAINTENANCE



Care and maintenance instructions & warranty certificate **Click and download.**

Durgu

Sofa

Indoor





www.bt.design

Showroom

Istanbul

+90 212 220 42 20
istanbul@bt.design

Ankara

+90 312 241 00 43
ankara@bt.design

Factory

Istanbul

+90 262 751 27 09
fabrika@bt.design

Bulgaria

europa@bt.design

Export

+90 212 220 26 97
export@bt.design