

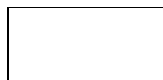
TECHNICAL SPECIFICATION

COLOURS

BODY



34 CHESTNUT



67 WHITE PASTEL



FRONT HPL



73 HIGH GLOSS WHITE



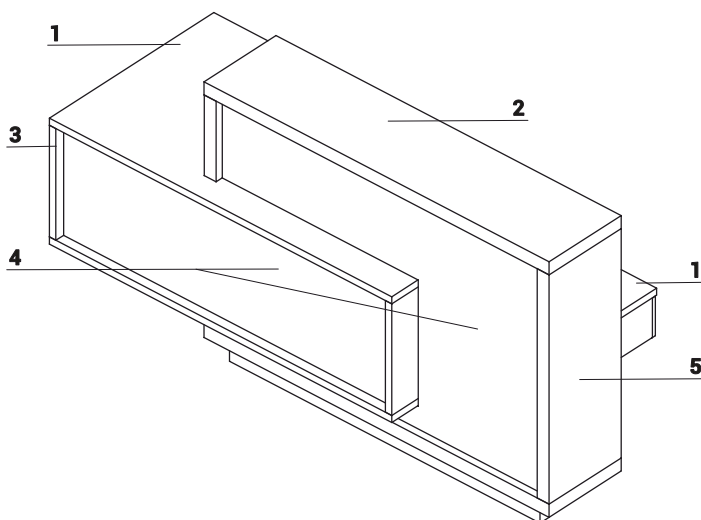
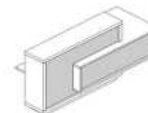
74 HIGH GLOSS ORANGE



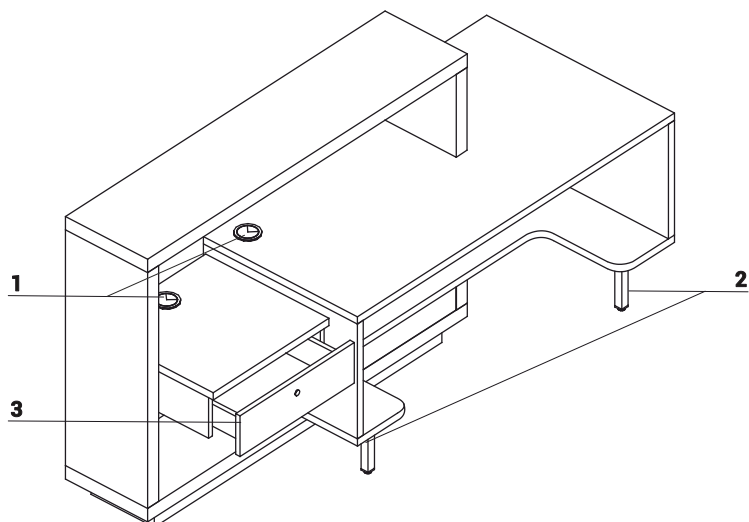
80 HIGH GLOSS LIME



81 HIGH GLOSS BURGUNDY



- 1. **Worktop** - MFC 1 1/8" | 28mm, PVC edge
- 2. **Top** - MFC 2" 52mm (4/8" + 4/8" + 1 1/8" | 12+12+28mm), PVC edge
- 3. **Body** - MFC 1 1/8" | 28mm, PVC edge
- 4. **Front** - HPL 6/8" | 18mm - high gloss, PVC edge
- 5. **Body** - MFC 2" | 52mm, PVC edge

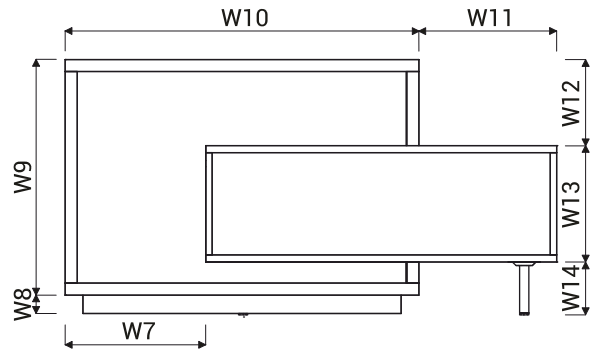
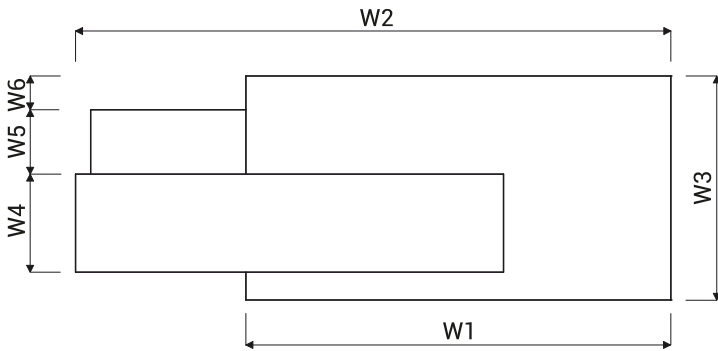


- 1. **Cable grommets** - O3 1/8" | O80mm
- 2. **Supporting leg** - profile 1 1/8"x1 1/8" | 30x30mm, colour: M009 - aluminum semi-matte
- 3. **MFC drawer** – ball runners, capacity 40kg, 80% pull-out, patent lock

ATTENTION - Interior of the front in white

TECHNICAL SPECIFICATION

DIMENSIONS



W1 - 59" 1500mm|W2 - 82 5/8" 2100mm|W3 - 31 4/8" 800mm|W4 - 13 6/8" 350mm|W5 - 9 1/8" 231mm|W6 - 4 6/8" 121mm|W7 - 23 5/8" 600mm|W8 - 3 1/8" 80mm|W9 - 8" 1016mm|W10 - 59 4/8" 1512mm|W11 - 23 2/8" 589mm|W12 - 14 5/8" 372mm|W13 - 19 5/8" 500mm|W14 - 9" 230mm

PRODUCT ILLUSTRATION	DIMENSIONS [mm]/[inch]			INDEX SYMBOL		kg	m3	pcs		COMPONENTS
	WIDTH	DEPTH	HEIGHT							

FORO RECEPTION DESK

	2100 82 5/8"	800 31 1/2"	1100 43 1/4"	LF10		171.3	0.447	4		
	2100 82 5/8"	800 31 1/2"	1100 43 1/4"	LF11		171.3	0.454	4		